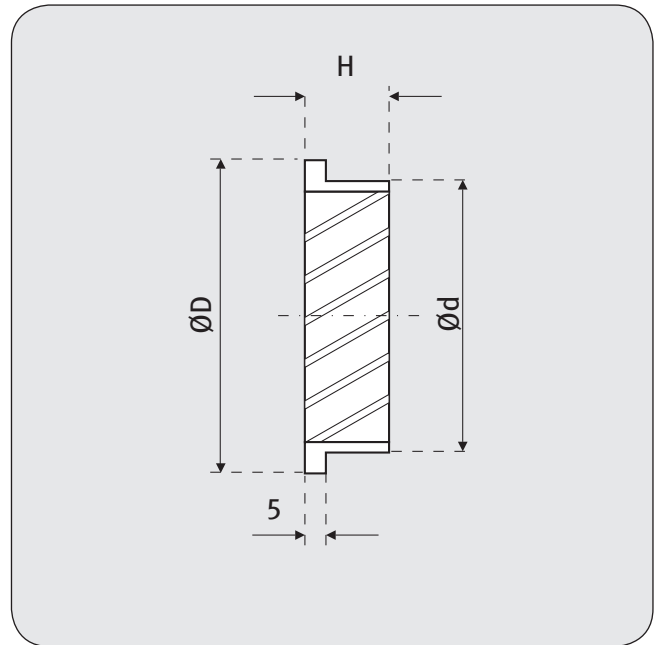


## ROUND INTAKE / EXHAUSTER

**KWO-AL**



### MATERIAL

- aluminum

### PRODUCT CHARACTERISTICS

- KWO-AL may work as intake or exhauster
- made by aluminum - no corrosion
- not painted
- internal security net

$\varnothing d$ (mm)	$\varnothing D$ (mm)	H (mm)	Weight (g)
80	96	15	100
100	125	20	235
125	150	20	325
160	185	20	390
200	225	20	580
250	275	20	970
315	350	20	1895
400	435	35	3000
500	540	40	4500