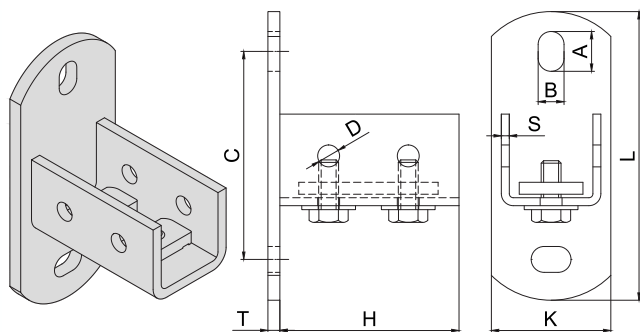


## UNIVERSAL SADDLE CLAMP



### Description:

The saddle clamp is a basic element for the creation of load bearing structures from fixing rails and other accessories.

Saddle clamps are supplied with fasteners.

- saddle clamp 27x18, 28x30 is supplied with 2pcs metric bolts M8x20, 2pcs washers 8,4x27,0x2,0 and double thread plate

- saddle clamp 38x40, 40x60 is supplied with 2pcs metric bolts M10x25, 2pcs washers 10,5x27,0x2,0 and double thread plate

- types ST are supplied with 2pcs metric bolts M10x25, 2pcs washers 10,5x27,0x2,0 and 2pcs slide nuts for fixing rail ST M10

### Technické údaje / Technical data:

Materiál / Material:	ocel třídy 5.6 / steel class 5.6
Povrchová úprava / Surface coating:	galvanicky pozinkováno / zinc plated

Obj. číslo Supply No.	Název Name	A x B (mm)	C (mm)	D (mm)	H (mm)	K (mm)	L (mm)	S (mm)	T (mm)	Vhodné pro profil Suitable for profile	Balení Package (ks/pcs)
35000250	Sedlový úchyt / Saddle clamp / 27x18, 28x30 UNIVERSAL	20 x 11	74,5	24 x 11	95	40	120	2	4	27x18, 28x30	50
35000255	Sedlový úchyt / Saddle clamp / 38x40, 40x60 UNIVERSAL	20 x 13	104,5	11	90	60	145	4	6	38x40, 40x60	20
35000257	Sedlový úchyt / Saddle clamp / ST UNIVERSAL	20 x 13	104,5	11	90	60	145	4	6	ST41x21, 41, 62	20
35000260	Sedlový úchyt / Saddle clamp / MASIV 38x40, 40x60 UNIVERSAL	20 x 13	118,5	11	90	70	160	6	8	38x40, 40x60	20
35000265	Sedlový úchyt / Saddle clamp / MASIV ST UNIVERSAL	20 x 13	118,5	11	90	70	160	6	8	ST41x21, 41, 62	20

### Montážní postup / Mounting procedure:

