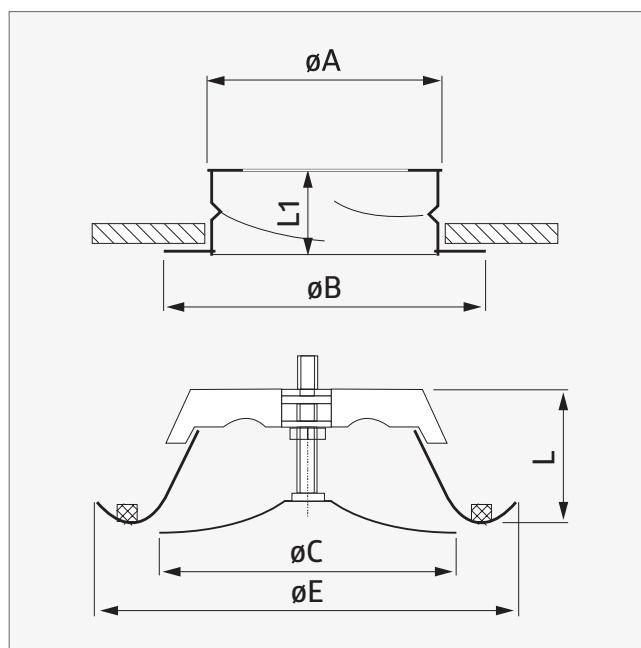


Supply air valve **SR-S****PRODUCT CHARACTERISTICS:**

- supply air valve designed for ceiling mounting on ventilation ducts
- easy adjustment of air flow by rotating central part
- blocking nut allows for setting the minimum slot
- special design provides low noise level
- high quality and modern design
- fast and easy installation

MATERIAL AND COLOUR:

- galvanized steel
- RAL 9003

	$\varnothing A$ [mm]	$\varnothing B$ [mm]	$\varnothing C$ [mm]	$\varnothing E$ [mm]	L [mm]	L1 [mm]	
SR-S 80	79,0	105,0	80,0	115,9	37,5	48,5	7
SR-S 100	98,4	125,3	93,0	139,5	39,0	48,5	7
SR-S 125	124,2	150,0	112,0	165,0	43,5	48,5	7
SR-S 150	148,5	175,0	137,0	201,0	51,0	48,5	7
SR-S 160	158,5	185,0	148,0	208,0	49,0	48,5	7
SR-S 200	198,5	225,0	195,0	247,4	57,0	48,5	7
SR-S 250	247,0	286,5	239,8	304,0	64,0	45,0	7

Packaging [pcs]

