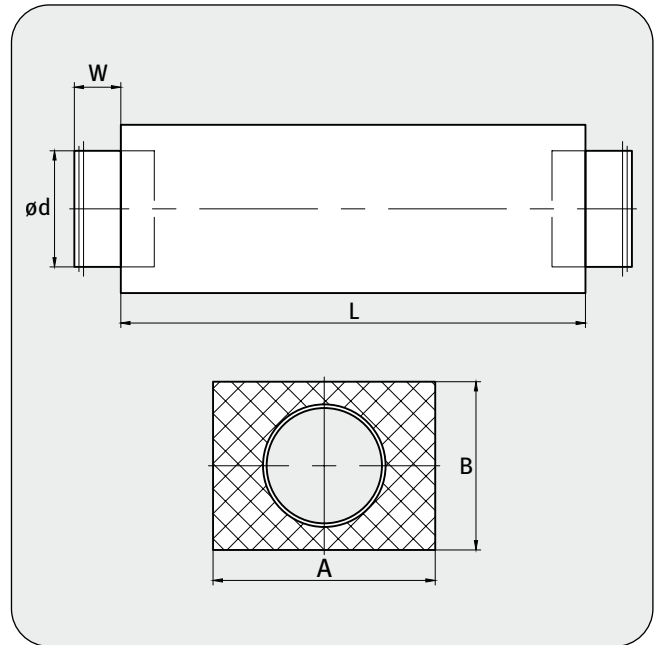




RECTANGULAR SILENCER

SLL-R



USE

Rectangular silencer designed to suppress the noise in ventilation and air conditioning duct systems.

DESIGN

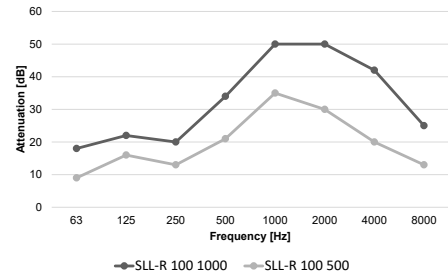
The attenuating layer is made of mineral wool slates with a density of 55 kg/m³.

$\varnothing d$ (mm)	L (mm)	W (mm)	A (mm)	B (mm)
100	500 / 1000	38*	210	158
125	500 / 1000	38*	239	181
160	500 / 1000	38*	275	218
200	500 / 1000	38*	328	254
250	500 / 1000	40	390	308
315	500 / 1000	40	453	372

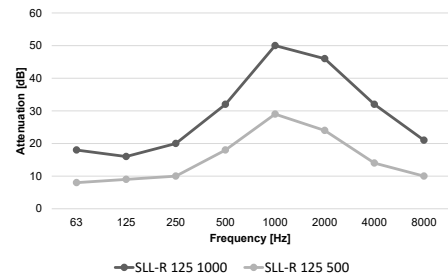
* Tolerance +0/-5 mm



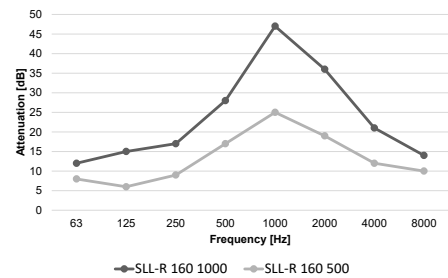
Type	Attenuation [dB] for frequency [Hz]							
	63	125	250	500	1000	2000	4000	8000
SLL-R 100 1000	18	22	20	34	50	50	42	25
SLL-R 100 500	9	16	13	21	35	30	20	13



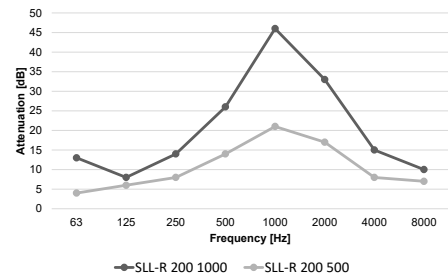
Type	Attenuation [dB] for frequency [Hz]							
	63	125	250	500	1000	2000	4000	8000
SLL-R 125 1000	18	16	20	32	50	46	32	21
SLL-R 125 500	8	9	10	18	29	24	14	10



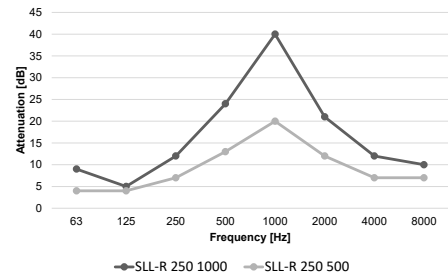
Type	Attenuation [dB] for frequency [Hz]							
	63	125	250	500	1000	2000	4000	8000
SLL-R 160 1000	12	15	17	28	47	36	21	14
SLL-R 160 500	8	6	9	17	25	19	12	10



Type	Attenuation [dB] for frequency [Hz]							
	63	125	250	500	1000	2000	4000	8000
SLL-R 200 1000	13	8	14	26	46	33	15	10
SLL-R 200 500	4	6	8	14	21	17	8	7



Type	Attenuation [dB] for frequency [Hz]							
	63	125	250	500	1000	2000	4000	8000
SLL-R 250 1000	9	5	12	24	40	21	12	10
SLL-R 250 500	4	4	7	13	20	12	7	7



Type	Attenuation [dB] for frequency [Hz]							
	63	125	250	500	1000	2000	4000	8000
SLL-R 315 1000	8	5	11	22	31	14	8	10
SLL-R 315 500	4	3	6	11	16	8	6	7

